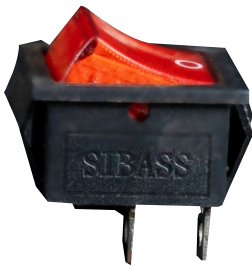


Red, Green,
Blue, Yellow



CE
ISO9001

ROCKER SWITCH



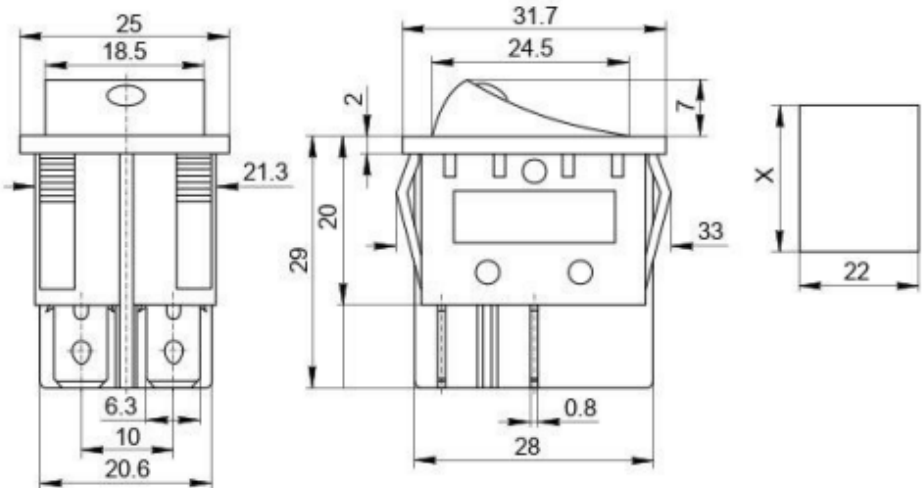
TECHNICAL DETAILS

Electrical Rating	16A – 125VAC, 10A – 250VAC
Electrical Life	> 50,000 CYCLE
Mechanical Life	> 50,000 CYCLE
Contact Resistance	<30m Ω Max
Insulation Resistance	500M Ω Min at 500VDC
Operating Temperature	-20°C to 85°C
Ingress Protection	Ip66
Available Colours	Red, Green, Yellow, Blue



DIMENSION

Unit: mm



BENEFITS

- Full illumination option available
- Approved under new UL 61058-1 rating
- Internal sealed IP66 rating using patented technology