



REVOLVING LIGHT

LTE - 1103 / J



CE
ISO9001



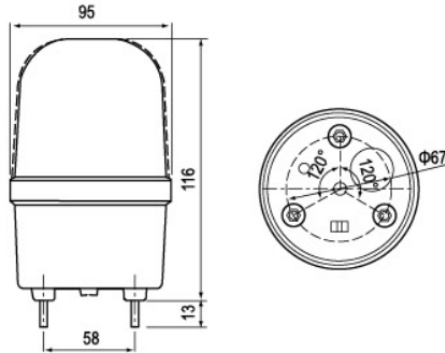
60-80
per minute
Flashes per
minute

TECHNICAL DETAILS

Model	Voltage	Current	Weight	Flashes Per Min.	Available Colors
LTE-1103/J	DC 12V	0.090 A	0.340 grms	60-80/Per Min	Red,Orange, Green,Blue
	DC 24V	0.080 A	0.340 grms	60-80/Per Min	Red,Orange, Green,Blue
	AC 110V	0.042 A	0.340 grms	60-80/Per Min	Red,Orange, Green,Blue
	AC 220V	0.021 A	0.340 grms	60-80/Per Min	Red,Orange, Green,Blue



External View Drawing



About this Items

- High brightness LED type
- Sound can be customized
- Circular chassis with fixed, making installation easier
- Principles of using high-tech electronic transfer
- In case of product using AC voltage, 12V to 24V DC power supply
- line is employe
Material: Lens-PC, Body-ABS
- Certification: CE
- Protection class: Ip30