



CE
ISO9001



Power Reserve:
150 hours



Voltage:
240 VAC

Quartz Analog Time Switch

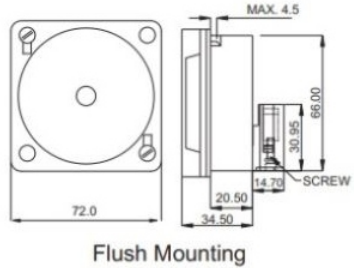
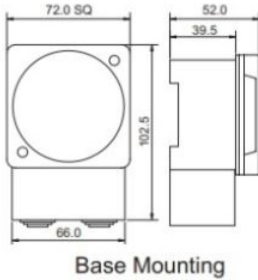


TECHNICAL DETAILS

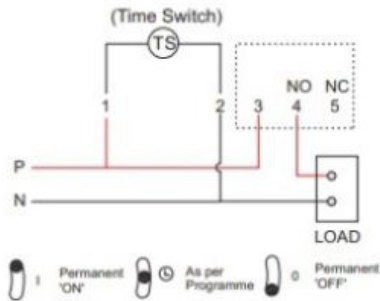
Supply Voltage	240 VAC
Relay Output	1 CO
Contact Rating	15A Resistive, 8A Inductive
Shortest Switching Time	15min
Power Reserve	150 hours
Manual Override	Provided
Mounting	Flush, Base / Din Rail



Dimension



Connection Diagram



Time Setting

- Rotate the switching Dial in clockwise direction until the current time (day / time incase of weekly mode) is almost opposite to the marking arrow F. For fine adjustment rotate the minute hand in the clockwise direction until the clock shows the current time.

Programming

- Required Switch ON time is set on the Switching Dial by radially pulling outwards the corresponding black segments. Each segment on daily dial corresponds to 15 mins. & on weekly Dial corresponds to 2 hours.