



CE
ISO9001



Shock proof



Bi-directional

Pendant Station PL05

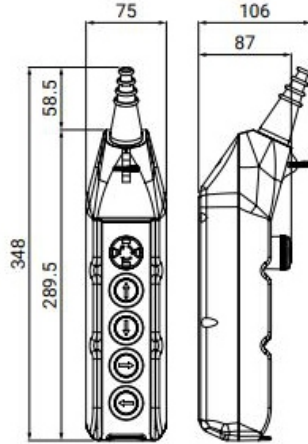


TECHNICAL DETAILS

L length (mm)	345
N° Push Button	5
Weight (gr.)	560
Cable entry	Rubber cable sleeve Ø9...24mm
Rated insulation voltage [Ui]	690V
Rated thermal current [Ith]	16A
Rated impulse withstand voltage [Uimp]	4kV
Conditional short circuit withstand current	1000A
Contact insulation resistance	≤ 25mΩ
Fuse rating	gG 10A - 500V



Diagram



Characteristics

- Bi-directional, mechanically interlocked
- IP 65 double insulation IEC/EN60529
- Laser engraved symbols comply with EN60204-1, FEM 9.941
- Shock proof and heat resistant

Push Button Type

PUSH BUTTON TYPE – CONTACT TYPE COUPLED							
			(*) two speed contact block				