



CE  
ISO9001



Actuator



Maximum  
operation force

# MICRO SWITCH

## SE-V-153-1C25

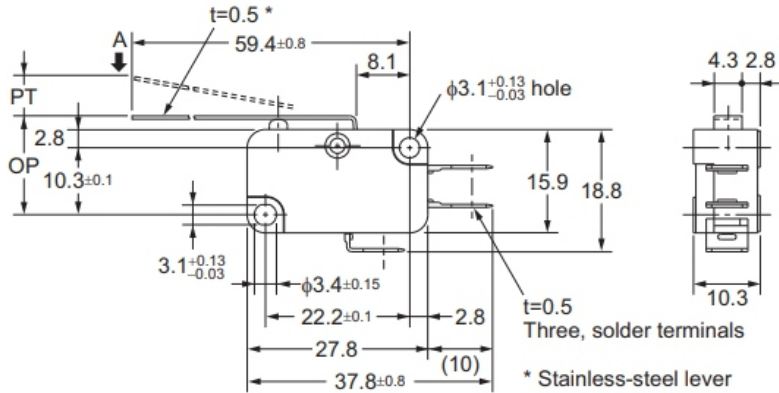


### Technical Details

Operating Force Max.	0.69 N
Release Force Min.	0.06 N
Pre-travel Max.	9.0 mm
Over Travel Min.	2.0 mm
Movement Differential Max.	2.8 mm
Operating Position	15.2 ± 2.6 3.2 mm
Actuator	Long hinge lever
Terminals	Quick-connect terminals
Contact Form	SPDT
Maximum operating force (OF)	0.69N



## Dimension



## Contact Form

