



CE
ISO9001



Actuator



Maximum
operation force

MICRO SWITCH

SE-V-151-1C25

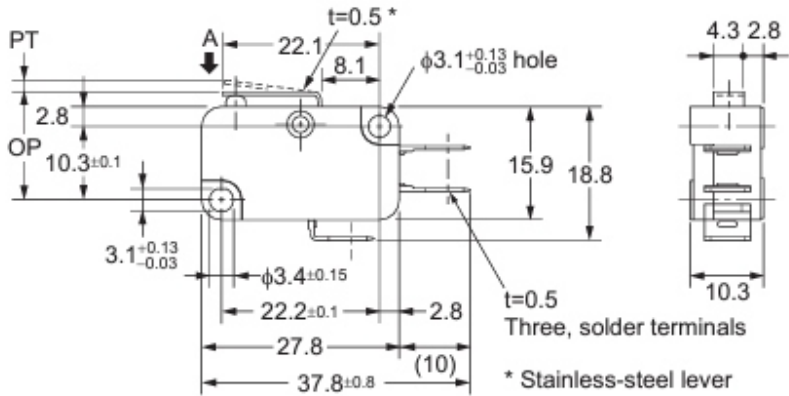


Technical Details

Operating Force Max.	1.96 N
Release Force Min.	0.49 N
Pre-travel Max.	1.6 mm
Over Travel Min.	1.8 mm
Movement Differential Max.	0.6 mm
Operating Position	15.2 ± 0.5mm
Actuator	Short hinge lever
Terminals	Quick-connect terminals
Contact Form	SPDT
Maximum operating force (OF)	1.96N



Dimension



Contact Form

