



CE  
ISO9001



Actuator



Maximum  
operation force

# MICRO SWITCH

## SE-V-15-1C25

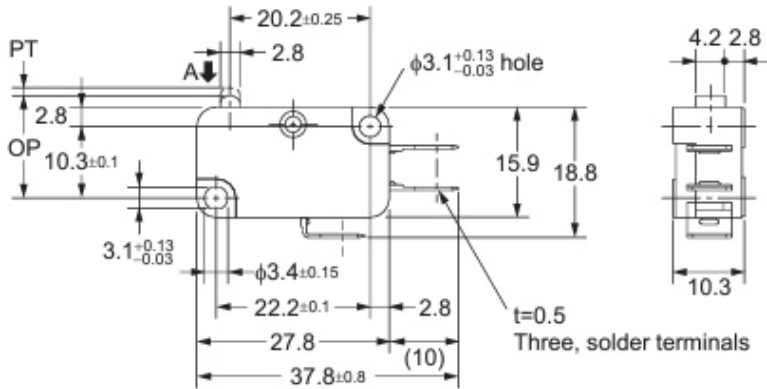


### Technical Details

Operating Force Max.	1.96 N
Release Force Min.	0.49 N
Pre-travel Max.	1.2 mm
Over Travel Min.	1.0 mm
Movement Differential Max.	0.4 mm
Operating Position	14.7 ± 0.4mm
Actuator	Pin plunger
Terminals	Quick-connect terminals
Contact Form	SPDT
Maximum operating force (OF)	1.96N



## Dimension



## Contact Form

