



CE
ISO9001



Mechanical Life



Degree
of protection

MICRO SWITCH SE-D4MC-5040



TECHNICAL DETAILS

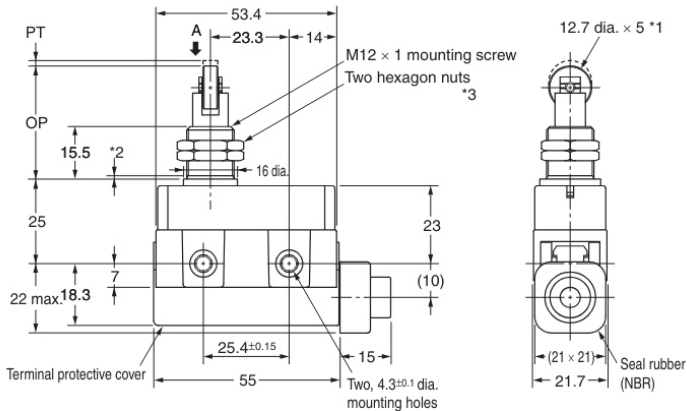
Degree of Protection	IP67
Durability	10,000,000 operations min.
	500,000 operations min.
Operating speed	0.05 mm/s to 0.5 m/s *1
Operating frequency	120 operations/min
	20 operations/min
Rated frequency	50/60 Hz
Insulation resistance	100 MΩ min. (at 500 VDC)
Contact resistance	15 mΩ max. (initial value for the built-in switch when tested alone)
Dielectric strength	
Between terminals of the same polarity	1,000 VAC, 50/60 Hz for 1 min
Between each terminal and non-current-carrying part	2,000 VAC, 50/60 Hz for 1 min
Rated insulation voltage (Ui)	1,000 VAC
Pollution degree (operating environment)	3 (IEC947-5-1)
Protection against electric shock	Class II
PTI (tracking characteristics)	175
Switch category	D (IEC335)
Rated operating current (Ie)	10 A
Rated operating voltage (Ue)	250 VAC
Vibration resistance - Malfunction	10 to 55 Hz, 1.5-mm double amplitude *2
Shock resistance - Destruction	1,000 m/s ² min.
Shock resistance - Malfunction	100 m/s ² min. *1 *2
Ambient operating temperature	-10°C to +80°C (with no icing)
Ambient operating humidity	35% to 95%RH
Weight	Approx. 71 g (in case of panel mount plunger)



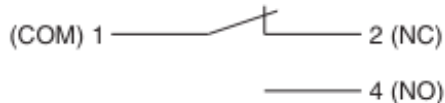
Operating Characteristics

Operating Force	5.88 N
Release Force	0.98 N
Pre-travel	1.6 mm
Over Travel	5 mm
Movement Differential	0.2 mm
Free Position	--
Operating Position	33.4±1.2 mm

Dimension



Contact Form



Features

- Enclosed Switches with Built-in Basic Switches for High Repeatability and Durability of 10 Million Operations Minimum.
- Suitable for applications demanding higher mechanical strength, dustproof and drip-proof properties than those on basic switches.