



# MC4 T2 SOLAR PANEL CONNECTOR



CE  
ISO9001



Function: 2 input,  
1 output



Ambient  
Temperature:  
-40°C~100°C

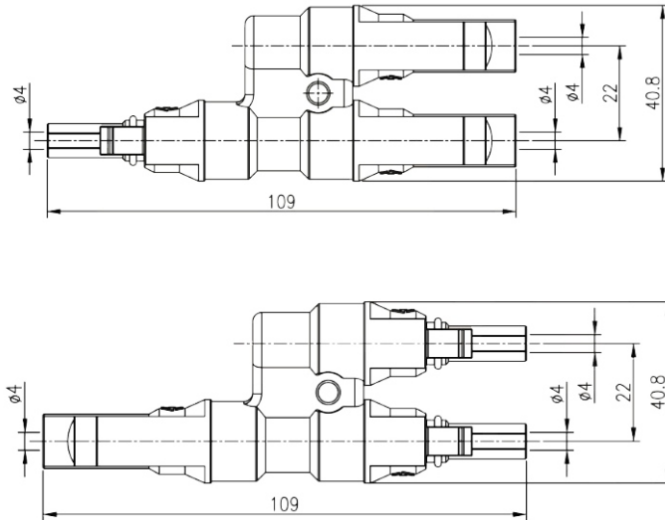


## TECHNICAL DETAILS

Rated Current	30A
Rated Voltage	1000V DC
Test Voltage	6KV (50Hz, 1Min)
Contact Material	Copper, Tin plated
Insulation Material	PPO
Contact Resistance	<1mQ
Waterproof Protection	IP67
Ambient Temperature	-40°C~100°C
Flame Class	UL94-V0
Suitable Cable	2.5/4/6mm <sup>2</sup> (14/12/1 OAWG) cable



## Diagram



## Advantages of 2in1 branch solar connector

- High Quality PPO Insulation
- High density | Heat resistant | Flame retardant | Wear resistant
- Self-locking Design MC4 Compatible Connection
- Shrinkable Waterproof Ring Preventing Electric Leakage