



CE
ISO9001



Function: 4 input,
1 output



Ambient
Temperature:
-40°C~100°C

MC4 T4 SOLAR PANEL CONNECTOR

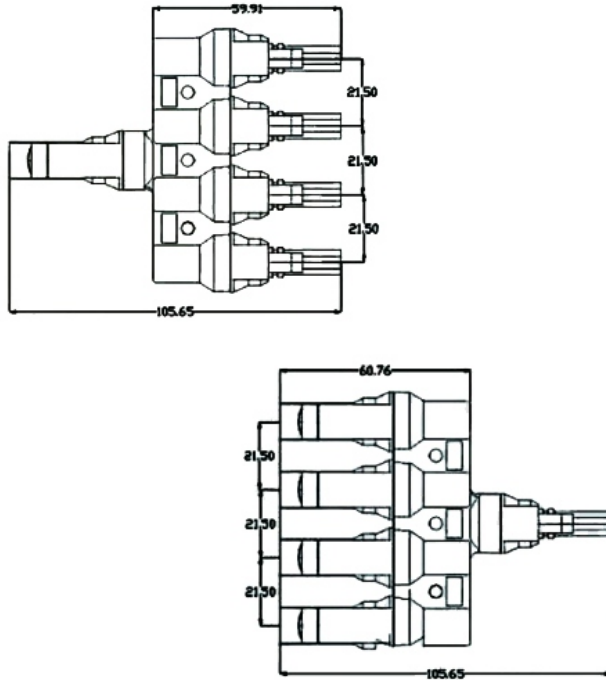


TECHNICAL DETAILS

Rated Current	30A
Rated Voltage	1000V DC
Test Voltage	6KV(50Hz, 1 Min)
Contact Material	Copper, Tin plated
Insulation Material	PPO
Contact Resistance	<1mQ
Waterproof Protection	IP67
Ambient Temperature	-40c-1000C
Flame Class	UL94-VO
Suitable Cable	26/4/6mm2 (14/12/10AWG) cable



Diagram



Advantages of 4 to 1 branch solar connector

- High Quality PPO Insulation
- High density | Heat resistant | Flame retardant | Wear resistant
- Self-locking Design MC4 Compatible Connection
- High Density Rubber ring
- IP67 waterproof grade
- Self-locking design
- MC4 compatible connection