



CE
ISO9001



Mechanical Life



IP66
Degree of protection

LIMIT SWITCH SE-WLNJ



TECHNICAL DETAILS

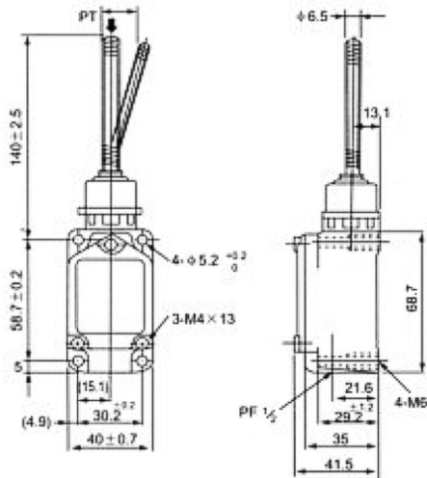
Operation Speed	1 mm - 2m/s
Operating frequency	Mechanical: 120 operations/minute Electrical: 30 operations/minute
Contact resistance	15 m Ω max. (initial value)
Insulation Resistance	100m Ω min. (at 500VDC)
Dielectric Strength	1000VAC, 50/60 Hz for 1 minute between terminals of the same polarity
	1500 VAC, 50/60 Hz for 1 minute between current-carrying and non-current carrying metal parts
	1500VAC, 50/60 Hz for 1 minute between each terminal and ground
Vibration	10 - 55 Hz, 1.5mm double amplitude
Shock	Mechanical duralbel 1,000m/Sec ² (about 100G's) Malfunction: 300m/Sec ² (about 30G's)
Ambient Temperature	-10 -+ 80°C
Humidity	95%
Life	Mechanical 10,000,000 operations above Electrical 500,000 operations above
Weight	275g
Degree of Protection	IP66



Operating Characteristics

Operating Force	1.47 N
Release Force	-
Pre-travel	40 + 20 mm
Over Travel	-
Movement Differential	-

Dimension



Contact Form

