



CE
ISO9001



Mechanical Life



IP66
Degree of protection

LIMIT SWITCH

SE-WLD-2



TECHNICAL DETAILS

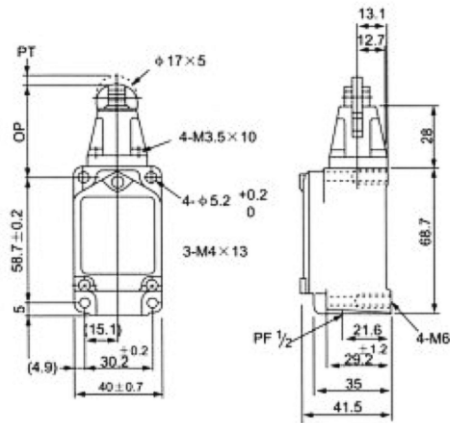
| | |
|-----------------------|---|
| Operation Speed | 1 mm - 2m/s |
| Operating frequency | Mechanical: 120 operations/minute Electrical: 30 operations/minute |
| Contact resistance | 15 m Ω max. (initial value) |
| Insulation Resistance | 100m Ω min. (at 500VDC) |
| Dielectric Strength | 1000VAC, 50/60 Hz for 1 minute between terminals of the same polarity |
| | 1500 VAC, 50/60 Hz for 1 minute between current-carrying and non - current carrying metal parts |
| | 1500VAC, 50/60 Hz for 1 minute between each terminal and ground |
| Vibration | 10 - 55 Hz, 1.5mm double amplitude |
| Shock | Mechanical durbel 1,000m/Sec2 (about 100G's) |
| | Malfunction: 300m/Sec2 (about 30G's) |
| Ambient Temperature | -10 -+ 80°C |
| Humidity | 95% |
| Life | Mechanical 10,000,000 operations above |
| | Electrical 500,000 operations above |
| Weight | 275g |
| Degree of Protection | IP66 |



Operating Characteristics

| | |
|-----------------------|---------|
| Operating Force | 26.67 N |
| Release Force | 8.92 N |
| Pre-travel | 1.7mm |
| Over Travel | 5.6mm |
| Movement Differential | 1mm |

Dimension



Contact Form

