



LIMIT SWITCH SE-9101B



CE
ISO9001



Mechanical Life



Degree
of protection

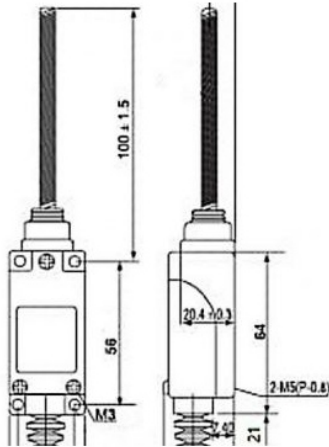


TECHNICAL DETAILS

Drive type	Flexible spring rod, automatic reset
Contact Configuration	2 NC + 2 NO
Power supply	AC 250V 5A, DC 115V 0.4A
Operating Temperature	5-+65
Usage	Industrial
Attachment thread diameter	4.5 mm
Mounting hole spacing	56 mm x 21 mm
Mechanical Life	10,000,000 operations
Electrical Life	500,000 operations



Dimension



Characteristics

- This Limit switch features a compact design and a long mechanical life.
- They have easy wiring with full open terminals and dust, water, oil proof construction.
- A strong body with a combination of reinforced plastic and aluminium Die Casting components.
- It is operated by the motion of a machine part or presence of an object.
- The defining feature of it is that a relatively small movement at the actuator button produces a relatively large movement at the electrical contacts, which occurs at high speed (regardless of the speed of actuation).