



CE  
ISO9001



Mechanical Life



IP65  
Degree  
of protection

# LIMIT SWITCH

## SE-8112-B



### TECHNICAL DETAILS

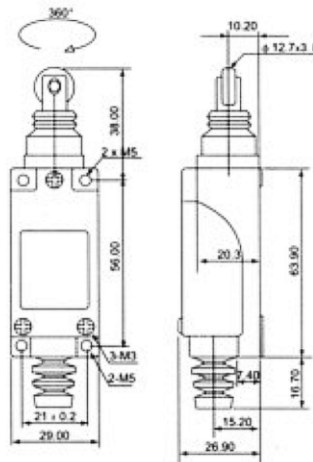
Body	Plastic Body
Operation speed	0.5mm - 50cm/sec
Operating Frequency	Mechanical : 120 operations/ minute Electrical: 30 operations/minute
Contact Resistance	25m $\Omega$ max. (initial value)
Insulation Resistance	100m $\Omega$ min(below 500VDC)
Dielectric Strength	1000VAC, 50/60Hz for 1 minute between terminals of the same polarity 1500VAC, 50/60 Hz for 1 minute between current-carrying and non-current-carrying metal parts 50/60 Hz for 1 minute between each terminal and ground
Vibration	10 55Hz, 1.5mm 10-55Hz 1.5mm double amplitude Mechanical durobie 1,000m/Sec
Shock	Malfunction: 300m/Sec
Ambient Temperature	- 5 - + 65°C
Humidity	95% RH
Life	Mechanical 10,000,000 operations above Electrical 500,000 operations above
Weight	130 to 190g
Degree of Protection	IP65



## Operating Characteristics

Operating Force	9.8 N
Release Force	2.94 N
Pre-travel	1.5mm
Over Travel	4mm
Movement Differential	1.2mm
Total Travel	5.5mm

## Dimension



## Contact Form



## Characteristics

- This Limit switch features a compact design and a long mechanical life.
- They have easy wiring with full open terminals and dust, water, oil proof construction.
- It is operated by the motion of a machine part or presence of an object.
- The defining feature of it is that a relatively small movement at the actuator button produces a relatively large movement at the electrical contacts, which occurs at high speed (regardless of the speed of actuation).