



6 Inch Cooling Fan Square



CE
ISO9001



Voltage
220V

TECHNICAL DETAILS

MODEL

SE-15050ASL

SIZE (mm) 150mm x 150mm x 50mm

VOLTAGE 220V

CURRENT 0.25A

WATTS 38W

SPEED 2600

AIR FLOW 160/180

BEARING SLEEVE

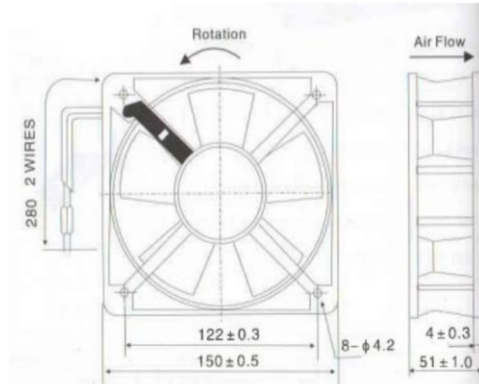
HZ 50/60





DIMENSION

Unit: mm



GENERAL DATA

FRAME	- ALUMINUM ALLOY
IMPELLER	- PLASTIC PBT
BEARING SYSTEM	- SLEEVE
LIFE EXPECTANCY	- OVER 30,000 HR (AT 25 DEGREE CELUIS)

CFM

